

## UNIVERSAL MAGNETIC TYPE RECHARGEABLE SOLAR LANTERN

### Product Description and Usage

This ergonomically designed, Eco-Friendly, portable Silicone bottle can use either solar energy or electric power from any Device with a USB Output (cable is included with the bottle) to recharge its built-in battery. It can be used as a camping lantern, emergency light source, waterproof storage bottle, pathway lighting, mood-enhancing decorative, table, party, garden or children's night light. It is an affordable, fun, practical and useable light that never requires batteries or replacement bulbs. For travel, camping or hiking it can be collapsed and folded into a neat foldable, lightweight package and is fitted with a detachable strap for hanging or carrying as a portable lantern.

### Product Functions and Features

1. Lighting modes: Low, High, Flashing, Off
2. Output: 100 Lumens on High power, 50 lumens on low power
3. Waterproofing: IPX6
4. Ideal Floatable, protective waterproof storage container for First-Aid or Survival Kits, electronic items, phones, lighters, etc.
5. Back-Up power outage lantern, or designed to be used in flashing mode as vehicle hazard warning, or signalling device.
6. Its lightweight, Compact, unbreakable design and folding ability makes it ideal for Travelling, hiking, mountaineering, caravanning, camping, boating and marine use.

### User Operating Instructions:

#### SWITCH OPERATION

Use and control the light by pressing the switch through 4 sequential modes:  
A) On Low Mode, B) On High Mode, C) On Flashing Mode, D) Off.

#### HANGING OR SUSPENDING THE LIGHT

The hanging/ carrying handle has a Quick-Detachable, Snap-On, snap- Off capability so can be easily detached and re-attached to hang or carry.

#### SOLAR CHARGING

Detach the handle so it does not obstruct the Solar Panel and Face the Solar Panel directly towards the sun, or towards the sun's optimum midday position.  
The Red LED which indicates it is charging will change to Green when fully charged.  
Note: If only charged by Solar Energy every day, using the High mode (50 Lumens) will allow for approximately 2 to 3 hours use per night.  
If longer run time is needed, then supplement Solar charging with USB charging as below and which is much quicker, and by which a full charge may be achieved in approximately 5 hours.  
The Red Led which indicates it is charging will change to Green when fully charged.

#### MAGNETIC TYPE USB CHARGING

Connect adapter with magnetic charge port. The indicator light turns red when charging. When the indicator light turns green, it means the battery is fully charged.

#### CAUTIONS:

1. Do not point at eyes directly in case hurt the eyes.
2. Do not use corrosive liquids to clean the bottle or lid, use only a damp cloth or mild detergent.
3. In solar charging the temperature of the bottle will rise and it may become slightly warm.
4. Do not store the bottle for long periods in high temperature and humidity areas.
5. The manufacture reserves all rights in improving or altering specifications as required.

### MAIN TECHNICAL PARAMETERS

#### 1. Lighting Cap part

Input voltage	5.0±0.2V
Charge port	Magnetic type
The Max Lumen (High mode)	≥100Lm
The Max Lumen (Low mode)	≥50Lm
Run time (High mode)	≥5 hours

Run time (Low mode)	≥12 hours
Run time (Flashing mode)	≥14 hours
Charge fully time	3-6 hours
The Max current when charging	500±50 mA

#### 2. Bottle Part

Material	PP + Silicone
Surface	Glossy
Size	φ92mmx156 mm
Weight	159g
Capacity	737ml

#### 3. Lid Size

Size	Φ78*28.5 mm
Weight	74 g

#### 4. Battery

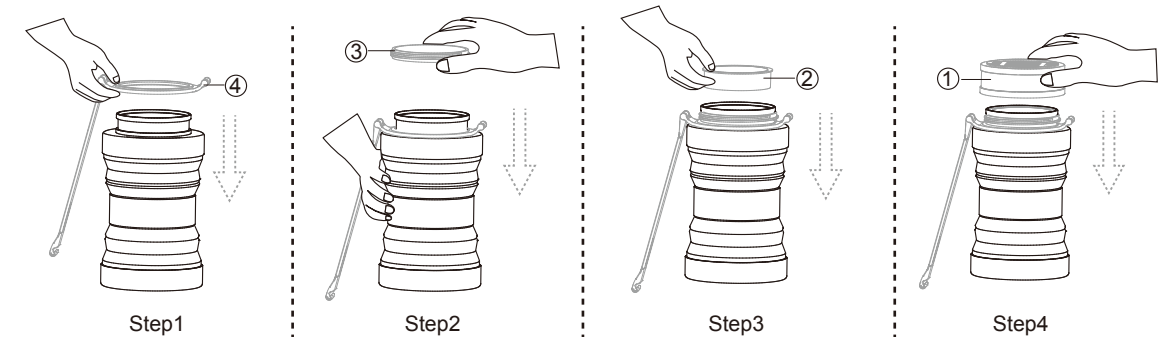
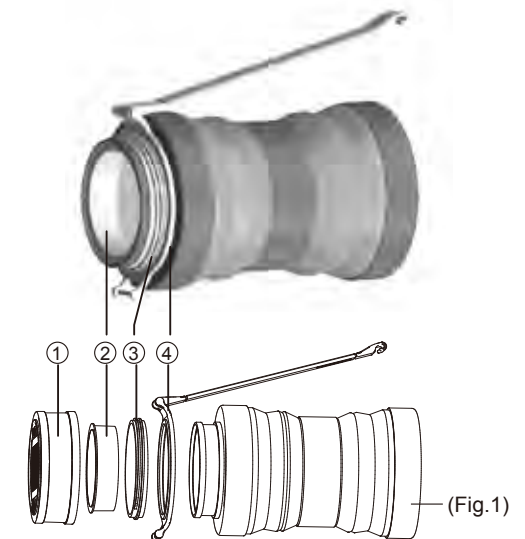
Specification of built-in battery	1000mAh/3.7V Lithium polymer battery
-----------------------------------	--------------------------------------

#### Explosive View:

- ① Lid
- ② Waterproof Ring (need fix inside the bottle)
- ③ Screw Ring
- ④ Hanger Ring

How to store stuff that size is a bit bigger than the diameter of bottleneck?

Take off from part ① to part ④ (Fig.1), and put commodity into the bottle, install bottle in opposite way of open operation (from step 1 to step 4)



- STEP 3:** Make sure waterproof ring part fixed into bottle well, silicon bottle should be covered the waterproof ring  
**STEP 4:** Air could be out after bottle closed well

